



LG | **COMMERCIAL
LAUNDRY**



PROFESSIONAL LAUNDRY PRODUCTS



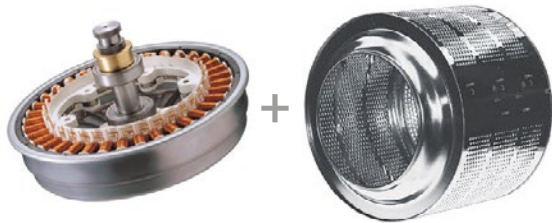
Why **LG?**

LG professional laundry equipment is designed to save money for companies to which laundry washing and drying is a secondary business activity (hotels, restaurants, marines, etc.) and to help make money for companies whose main business focus is laundry washing and drying (laundrettes). However, picking out the right laundry equipment can be tricky. This is where we come in because we also offer education on which equipment to choose for a specific type of business; while domestic washing machines aren't

suited for, say, 10 apartments, industrial washers are too big of a bite for a business like that to swallow. In the calculation which entails a big range of price and individual business needs, LG professional laundry equipment gives an accurate result – its washers and dryers have an Energy Star qualification, which means they have met the very strict requirements of the Environmental Protection agency. This also means that they have put themselves in an advantageous position in relation to other brands of laundry equipment.



Quality material - it lasts long and stays strong



INVERTER DIRECT DRIVE™ MOTOR

Unlike the traditional belt and pulley system, professional LG washers have their laundry drum attached directly to the motor. This system has a lot less moving parts, which makes it less likely to break down. It also saves energy and lasts longer. Besides, this system eliminates that awful noise washers make which we all know about.

WAVEFORCE

At the end of a cycle, nozzle sprays squirt water through the drum in order to clean the drum and the tub, which helps maintaining the tub clean.



WATER SAVINGS



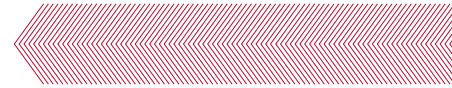
ENERGY SAVINGS



DETERGENT SAVINGS

LG Giant-C MAX

PROFESSIONAL WASHER



LG DIRECT DRIVE MOTOR

The motor is directly attached to the drum which increases stability and durability and reduces vibration and noise.

CUSTOMIZED CYCLES

Owners can program of up to 20 fully customized washing programs

FLEXIBLE INSTALLATION

LG professional tumble dryers have the option of being mounted on a washing machine or tumble dryer.

HYGIENE COURSE

Remove 99.9% of the germs, with special programs 90°C and 75°C.

ESTIMATION OF LAUNDRY AMOUNT

Washer adjusts the water level to the amount of linen, saving water and energy at less than full load

TUB CLEANING SYSTEM

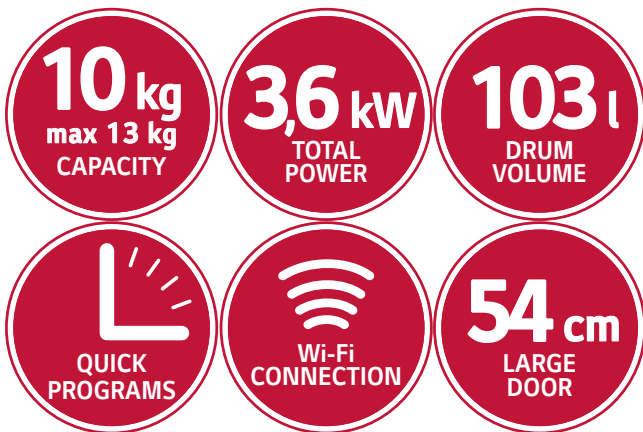
Dirty tub from hours of long operation can affect washing performance. Our tub cleaning program helps you keep a clean tub even in the busiest locations.

SELF-HEATING SYSTEM

Washing machines have hot and cold water inlets where the heating system detects the water temperature and automatically adjusts the heating time. This saves time and reduces electricity consumption by up to 75%. Save time as heaters do not need time to heat cold water.

STAINLESS STEEL DRUM

The stainless steel drum makes professional washing machines durable and long lasting.



Add-ons and accessories
- possible connection to:
BWO3 OZONE GENERATOR
AUTOMATIC DOSING PUMPS
PAYMENT SYSTEMS



TECHNICAL FEATURES

Capacity	10 kg
Max drum capacity	13 kg
Drum volume	102,7 lit.
Preset programs	90°C / 75°C / 60°C / 30°C or 40°C / Cold
Number of additional programs	20
Heater on/off flexibility	Yes
Program duration (60°C)	57 min
Total power	3,6 kW
Electric ratings	220-240V / 50Hz
Extract (high speed) rpm	1200
G-force	451
Noise level	< 62 dB
Drain pump	Yes
Net weight	87 kg
Gross weight	96 kg
Dimensions - product	686 x 767 x 983 mm
Dimensions - carton	755 x 795 x 1127 mm



WATER SAVINGS



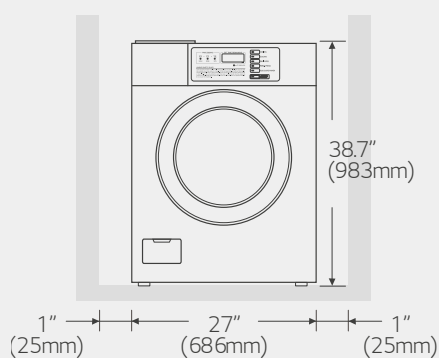
ENERGY SAVINGS



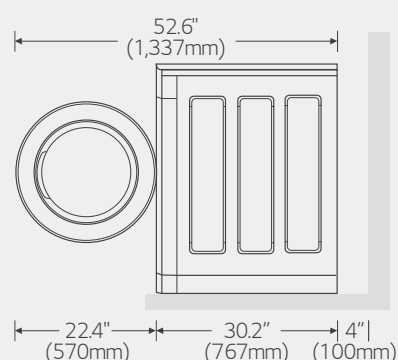
DETERGENT SAVINGS



FRONT



SIDE



LG Titan-C MAX

PROFESSIONAL WASHER



BIGGEST DRUM IN CLASS

With the largest drum in its class, this is an ideal washing machine for those who don't need industrial machine, but want larger capacity.

LG DIRECT DRIVE MOTOR

The motor is directly attached to the drum which increases stability and durability and reduces vibration and noise.

CUSTOMIZED CYCLES

Owners can program of up to 20 fully customized washing programs

FLEXIBLE INSTALLATION

LG professional tumble dryers have the option of being mounted on a washing machine or tumble dryer.

HYGIENE COURSE

Remove 99.9% of the germs, with special programs 90°C and 75°C.

ESTIMATION OF LAUNDRY AMOUNT

Washer adjusts the water level to the amount of linen, saving water and energy at less than full load

TUB CLEANING SYSTEM

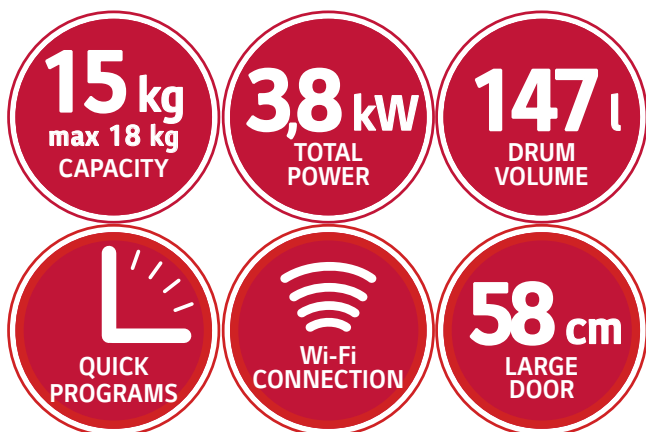
Dirty tub from hours of long operation can affect washing performance. Our tub cleaning program helps you keep a clean tub even in the busiest locations.

SELF-HEATING SYSTEM

Washing machines have hot and cold water inlets where the heating system detects the water temperature and automatically adjusts the heating time. This saves time and reduces electricity consumption by up to 75%. Save time as heaters do not need time to heat cold water.

STAINLESS STEEL DRUM

The stainless steel drum makes professional washing machines durable and long lasting.



Add-ons and accessories
- possible connection to:
BWO3 OZONE GENERATOR
AUTOMATIC DOSING PUMPS
PAYMENT SYSTEMS



TECHNICAL FEATURES

Capacity	15 kg
Max drum capacity	18 kg
Drum volume	147 lit.
Preset programs	90°C / 75°C / 60°C / 30°C or 40°C / Cold
Number of additional programs	20
Heater on/off flexibility	Yes
Program duration (60°C)	59 min
Total power	3,8 kW
Electric ratings	220-240V / 50Hz
Extract (high speed) rpm	1000
G-force	342
Noise level	< 60 dB
Drain pump	Yes
Net weight	101 kg
Gross weight	112,5 kg
Dimensions - product	737 x 814 x 1036 mm
Dimensions - carton	788 x 846 x 1125 mm



WATER SAVINGS



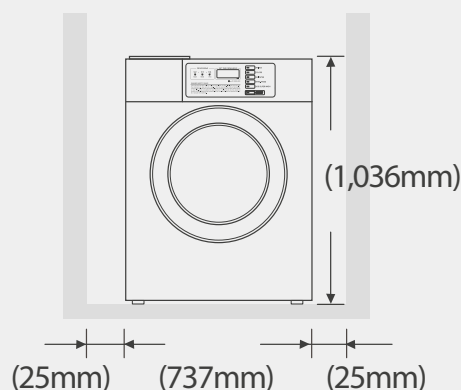
ENERGY SAVINGS



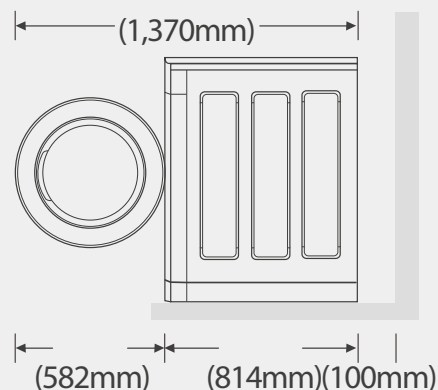
DETERGENT SAVINGS



FRONT

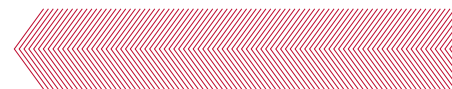


SIDE



LG Giant-C PRO

PROFESSIONAL DRYER



LARGE DRUM VOLUME

Compatible load with LG commercial washing machine
10kg

SENSE DRY

The temperature and moisture sensor automatically checks the temperature and humidity of the laundry and adjusts the drying length.

FLOW SENSING

The LED of Flow Sense flashes when the duct is blocked by lint. If the LED flashes, the manager can know the necessity to check and clean the duct.

HYGIENE CARE SYSTEM

Removes 99.9% of the germs on fabrics and clothing when running the High Temperature Cycle for drying.

FLEXIBLE INSTALLATION

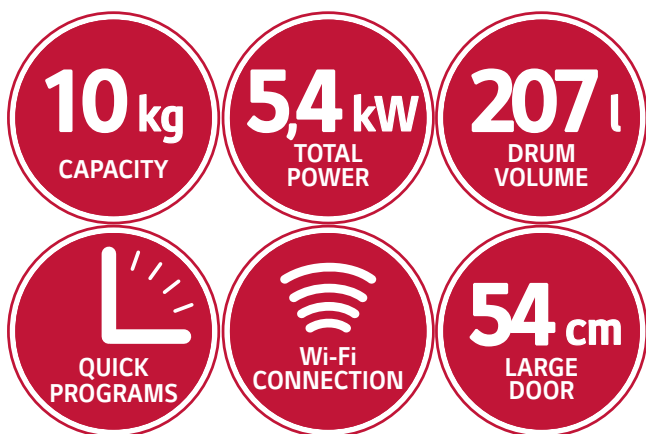
LG professional tumble dryers have the option of being mounted on a washing machine or tumble dryer.

ADAPTABLE™ CONTROLS

Easy to reach controls let you save space without compromising capacity. The controls are always within reach and are versatile enough to meet user needs. (ELECTRIC ONLY)

ADAPTIVE DOOR

Depending on your shop's set-up or your personal preference, owner can make the best use of space by easily changing the door orientation to open to the left or right.



Vented dryer

Add-ons and accessories
- possible connection to:
PAYMENT SYSTEMS



TECHNICAL FEATURES

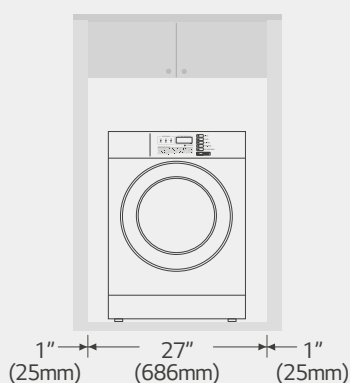
Heating type	Electric	Gas
Capacity	10 kg	10 kg
Drum volume	207 lit.	207 lit.
Preset programs	High temp. / Med temp. / Low temp / No heat	High temp. / Med temp. / Low temp / No heat
Heating power	5,4 kW	0,4 kW
Electric Ratings	220-240V / 50Hz	220-240V / 50Hz
Type of drying	Ventilation	Ventilation
Net weight	59 kg	59 kg
Gross weight	65 kg	65 kg
Net dimensions	686 x 764 x 983 mm	686 x 764 x 983 mm
Gross dimensions	760 x 795 x 1170 mm	760 x 795 x 1170 mm



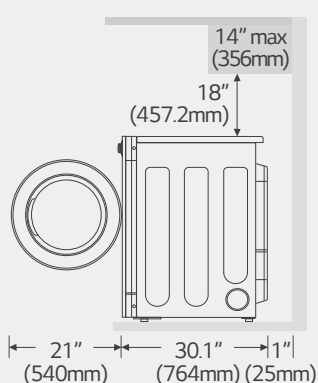
ENERGY SAVINGS



FRONT

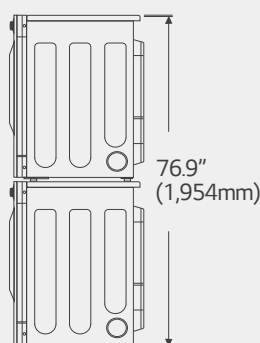


SIDE

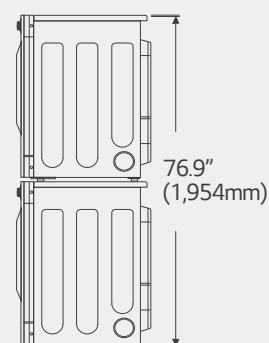


STACKED INSTALLATION

Washer & Dryer

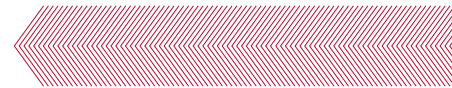


Dryer & Dryer



LG Titan-C Light

PROFESSIONAL DRYER



LARGE DRUM VOLUME

Compatible load with LG commercial washing machine.

FLOW SENSING

The LED of Flow Sense flashes when the duct is blocked by lint. If the LED flashes, the manager can know the necessity to check and clean the duct.

HYGIENE CARE SYSTEM

Removes 99.9% of the germs on fabrics and clothing when running the High Temperature Cycle for drying.

FLEXIBLE INSTALLATION

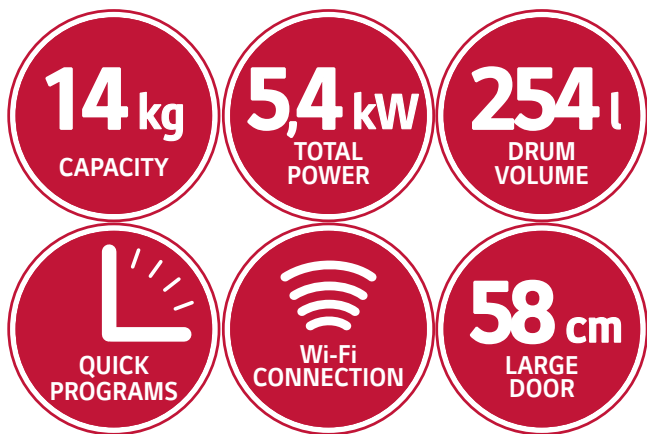
LG professional tumble dryers have the option of being mounted on a washing machine or tumble dryer.

ADAPTABLE™ CONTROLS

Easy to reach controls let you save space without compromising capacity. The controls are always within reach and are versatile enough to meet user needs. (ELECTRIC ONLY)

ADAPTIVE DOOR

Depending on your shop's set-up or your personal preference, owner can make the best use of space by easily changing the door orientation to open to the left or right.



Vented dryer

Add-ons and accessories
- possible connection to:
PAYMENT SYSTEMS



TECHNICAL FEATURES

Heating type	Electric
Capacity	14 kg
Drum volume	254 lit.
Preset programs	High temp. / Med temp. / Low temp / No heat
Default program duration	40 min
Heating power	5,4 kW
Electric Ratings	220-240V / 50Hz
Type of drying	Ventilation
Net weight	68 kg
Gross weight	76 kg
Net dimensions	737x 810 x 1022 mm
Gross dimensions	788 x 846 x 1146 mm



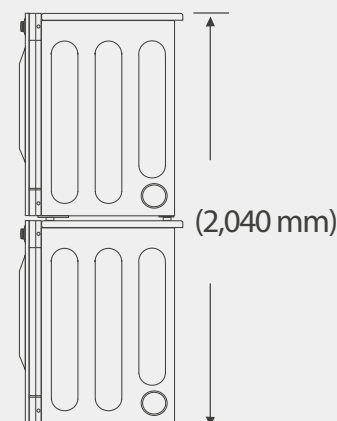
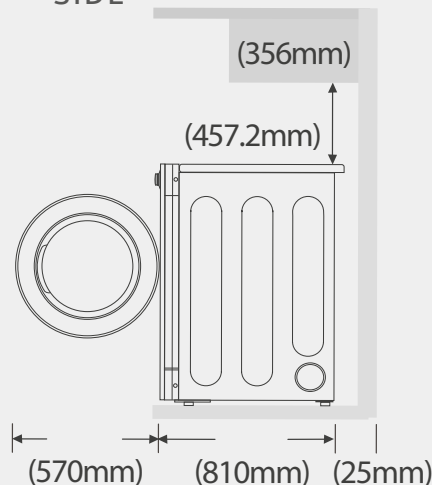
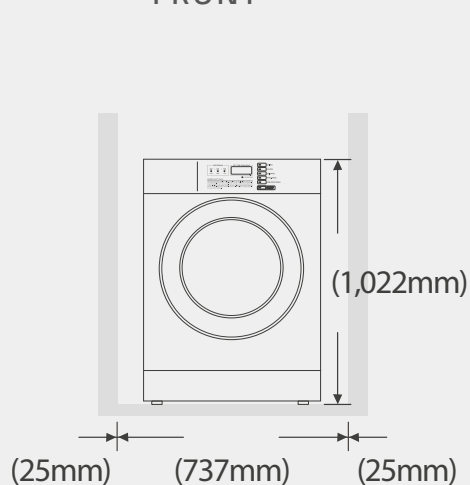
ENERGY SAVINGS



FRONT

SIDE

STACKED INSTALLATION



► COIN PAYMENT SYSTEM

Basic self-service payment system for laundromats which is easy to use for both customers and owners.

This payment system consists of change machine where the user can exchange bills for coins or tokens and coin box where the client inserts coins or tokens and thereby enables a washing or drying cycle.

Possible connection to the fiscalization system.

CHANGE MACHINE BW EASY COIN



- The money changer is intended for changing bills into coins or tokens.
- Capacity of coins 1000 pcs
- The gearbox has the ability to eject one type of tokens / coins.
- It is possible to mount it on the wall or on free-standing stand (purchased separately)

BW COIN BOX WITH MECHANISM BW EMP 500 DOUBLE



- Coin boxes are used for payment via coins or tokens.
- Works on local currency or tokens (jetons)
- Stainless steel casing with door for collecting coins / tokens
- Can be used for one machine (single) or for the tower/two machines (double)
- Laser coin reader"



JETONS - 50/1 PCS BW JETON 11 MS

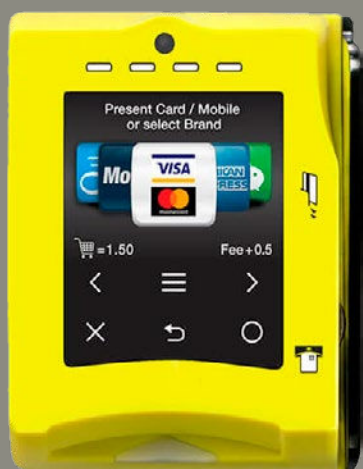
- Metal jetons
- Specially designed for BW coin boxes

PAYMENT SYSTEMS FOR LAUNDROMATS ARE IDEAL FOR SELF-SERVICE LAUNDRIES, CAMPS, AND MARINAS, STUDENT DORMITORIES, ACCOMMODATION FACILITIES FOR WORKERS, ETC., EVERYWHERE IT IS DESIRED TO HAVE WASHING AND DRYING SERVICES DONE BY THE USERS THEMSELVES

► CASHLESS (CARD& PREPAID) PAYMENT SYSTEMS

More advanced payment systems that offer the option of paying with bank cards, mobile payment, via QR code or with prepaid cards or keys. An option for anyone who wants a cashless payment available.

CARD PAYMENT TERMINAL NAY BWO01



- Terminal with support for cashless payment up to 6 devices
- Touch screen with integrated camera
- One device that accepts all types of cashless payment in real time:
 - Credit and debit cards
 - Mobile and NFC payment
 - Prepaid cards
 - QR payment code
- It is mounted on the wall of the laundry room

PREPAID PAYMENT TERMINAL EUR NEXT



- Payment system with prepaid cards or prepaid keys
- Payment is made by inserting a card or key into the reader.
- Recharging cards or keys via countertop recharge box
- Mounted directly on the device (washing machine or dryer)"



Countertop
recharge box

BW

O₃ OZONE GENERATOR



REMOVES ALL UNPLEASANT ODOURS



EASY INSTALLATION



LAUNDRY SOFTNESS WITHOUT FABRIC SOFTENER

CONVERTS COLD WATER INTO AN ECOLOGICAL DISINFECTANT



WARRANTY FOR COMMERCIAL USE

► HYGIENE

Ozone-enriched water disinfects, eliminates bacteria, neutralizes viruses and removes odours, even in a cold water washing program. This also makes it suitable for disinfecting sensitive laundry.

As an environmentally friendly disinfectant, it kills microbes more effectively than chlorine. Since it decomposes into ordinary oxygen, there is no unwanted residue on clothes and inside of the washing machine.

► FRAGRANT & SOFT

Ozone-enriched water removes unpleasant odours, even from mold or smoke.

Ozone enters into the structure of the fabric and makes it soft while reducing static electricity, which results in softer, richer bedding without the need for fabric softener.

► SAVING

Using an ozone generator in each cycle, can significantly reduce running costs.

If you are disinfecting with ozonated water, you don't have to use long cycles and high temperatures for thermal disinfection, thus saving time, electricity and water. The result is higher productivity.

The need to use disinfectants in the form of strong chemicals and softeners has been reduced, thus reducing the cost of consumables.



IT IS IDEAL FOR SELF-SERVICE AND SERVICE LAUNDRIES, HEALTH FACILITIES, NURSING HOMES, SPORTS CLUBS AND OTHER COMPANIES THAT NEED ADDITIONAL LAUNDRY DISINFECTION.

BWO³ Technical information

Ozone concentration: from 0,5 to 1 mg/l

Net dimensions (WxDxH): 480x80x240 mm

Gross dimension of package (WxDxH): 530x153x318 mm

Net weight: 3 kg

Gross weight: 4,55 kg

Package contains

BWO³ ozone generator

Wall mount

Mounting screws and dry wall anchors

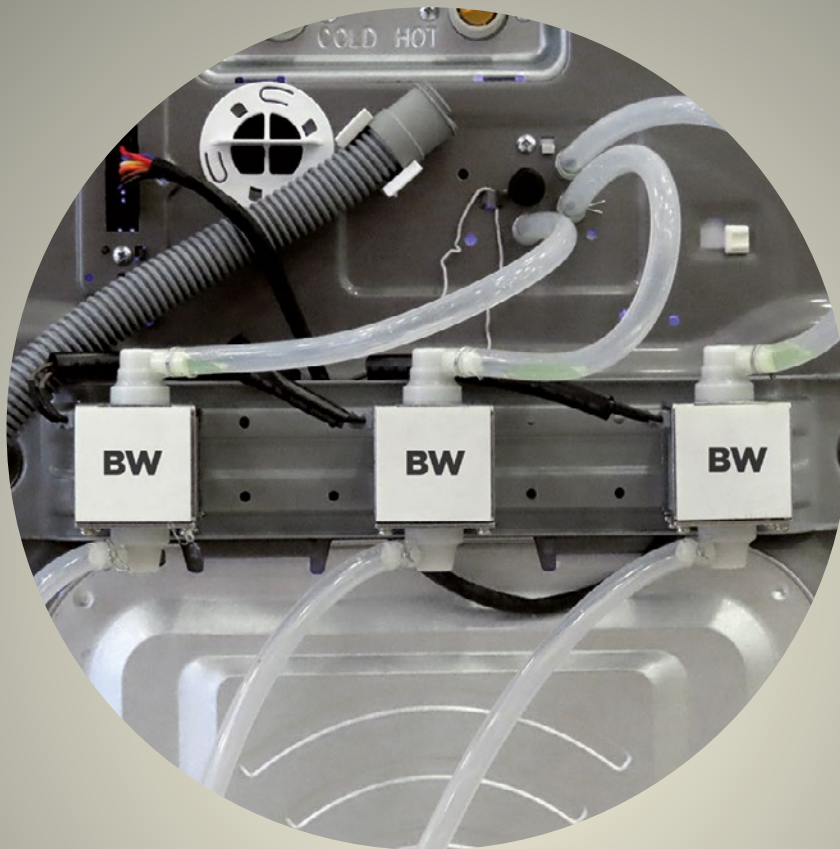
Power adapter

Water hose



BW

BW HYB-3P Automatic Dosing System



LG PROFESSIONAL DEVICES ARE ADAPTED FOR USE IN AN AUTOMATIC DOSING SYSTEM

► **BW HYB-3P**

Automatic dosing kit with 3 pumps for pre wash detergent, main wash detergent and fabric softener, uniquely designed for LG's Giant-C and Titan C washers

Highly efficient (7 times stronger than traditional pumps, very short dosing times)

Long service life and reduced maintenance

Quick and easy installation

Mounting on back side of washing machine and doesn't take up extra space

Easy programming directly on the washing machine

Best buy set for three pumps (pre-wash, wash and rinse)



TECHNICAL SPECIFICATIONS

Device type	Automatic dosing kit
Automatic dosing kit	BW HYB-3P
Operation mode	Automatic dosing kit with 3 pumps for pre wash detergent, main wash detergent and fabric softener
Types of devices to which it can be connected	LG Professional washing machines Giant-C and Titan-C series
Dosage time adjustment	From 1s to 20s
Flow depending on viscosity of liquids	28 ml/s to 38 ml/s
Mounting type	On the back of the Giant-C or Titan-C
Power supply	220V / 50Hz, 30W / 0,03kW Interface on the back of the washer
Noise level	≤ 55dB
Device dimensions (WxDxH)	460x90x100 mm
Device packaging dimensions (WxDxH)	580x160x220 mm
Net weight	2,2 kg
Gross weight	3,3 kg

Caring for your appliances means caring for your business

Service is a lot more than just taking care of malfunctions.

It's also making sure that our clients' businesses run smoothly through installation, prevention, and maintenance. The workflow stoppage is not just an inconvenience to entrepreneurs. It's also a threat to business and their profit. If you need a spare part for your appliance or just a piece of advice, our experts and service network are here to offer you quick and professional help.

Our service includes

- Expert service providers who supervise installation and appliance handover at the object
- Service network which includes qualified service providers who ensure maintenance at the highest professional standards
- Maintenance of appliances on all areas of a country - regardless of where you are located, our service providers are one phone call away
- Removal of malfunction in the fastest possible timeframe
- Accessibility of a complete range of spare parts

We can offer you a contract on preventive maintenance which can be adjusted according to your specific needs, ensuring, therefore, the lower frequency of malfunctions occurring. Preventive maintenance reduces the cost of maintenance and increases productivity. Maintenance is provided in accordance with appliance manufacturers and quality control.



Easy repair system

References



I would recommend anyone who wishes to become an entrepreneur to open a laundrette.

SELF-SERVICE LAUNDRETTE, ZADAR

LG appliances are durable and of good quality, ideal for the needs of a hostel

HOSTEL, DUBROVNIK



I am very satisfied with LG professional appliances. They are solid, reliable and easy to use.

HOTEL, PULA





Professional washers and dryers with specialized programs for all your needs



SELF-SERVICE
LAUNDRETTES



MARINAS



CAMPS



HOTELS



RESTAURANTS



HEALTH
INSTITUTIONS



FIREFIGHTERS